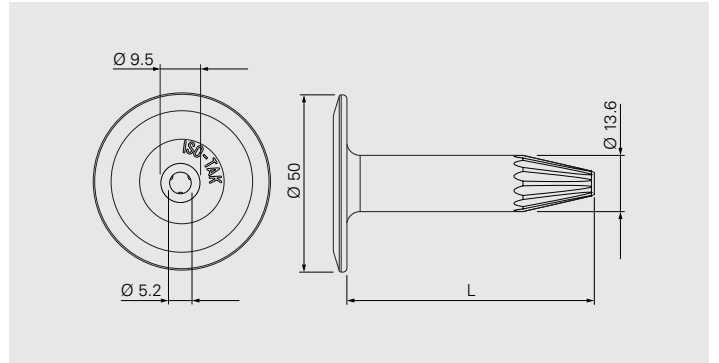


RP50



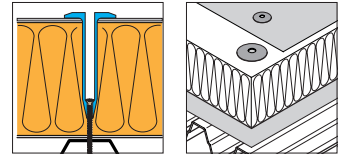
Application

Sleeve for waterproof membrane and insulation securement in combination with fasteners BS-4,8, BS3-4,8 and BS-S-4,8.

For seam fastening application.

For use with setting tool IT260-B and for manual installation.

Overlap length between sleeve and fastener: 20 mm



Product Information

Material: High quality polypropylen (PP)

Approvals/Assessments



Declaration of Performance (DoP)

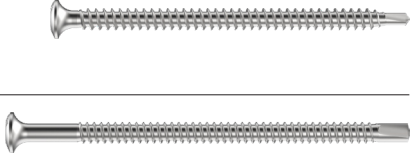
Features and Benefits

- 50 mm head diameter provides high design values
- For IT260 setting tool
- Optimized sleeve tip for reduced penetration force




Product Range

Product Code	L _{mm}	PU	Material No.
RP50×30	30	1000	529453
RP50×60	60	1000	529455
RP50×90	90	1000	529456
RP50×120	120	1000	529457
RP50×150	150	500	529458
RP50×180	180	500	529459
RP50×210	210	500	529461
RP50×250	250	250	1581327
RP50×300	300	250	1581328

Products to combine with

Product Code	Description	
BS-4,8	Carbon steel fastener for steel deck and timber and timber-based boards.	
BS-S-4,8	Stainless steel fastener for steel deck and timber and timber-based boards.	
BS3-4,8	Carbon steel fastener for thick steel deck.	

Tools and Accessories

Product Code	Description	
IT260-B	Automated setting tool for the fast and economic installation of fasteners and sleeves. For pre-assembled combination of fasteners BS-4,8, BS3-4,8, BS-S-4,8 and sleeve RP50.	
ZA¼"-M6-300 ZA¼"-M6-750	Drive bar for installation of fastener and sleeve, length 300 mm and 750 mm	
ZA¼"-M6-EXT	Drive bar extension, length 100 mm	
T25-32-M6-RING	Insert bit with T25 drive and ring to hold sleeves RP48, RP50, RP75 onto bit	