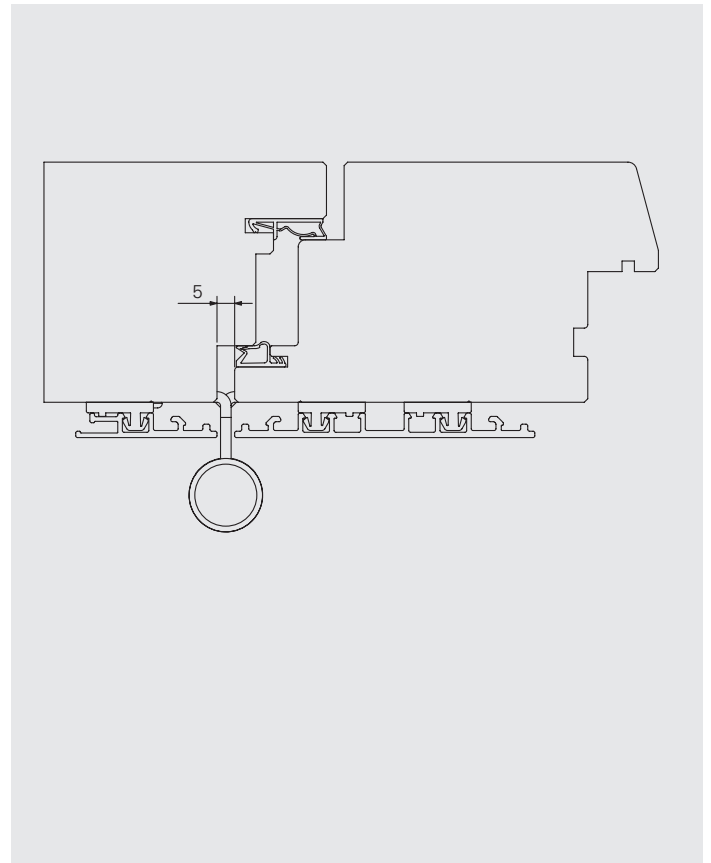
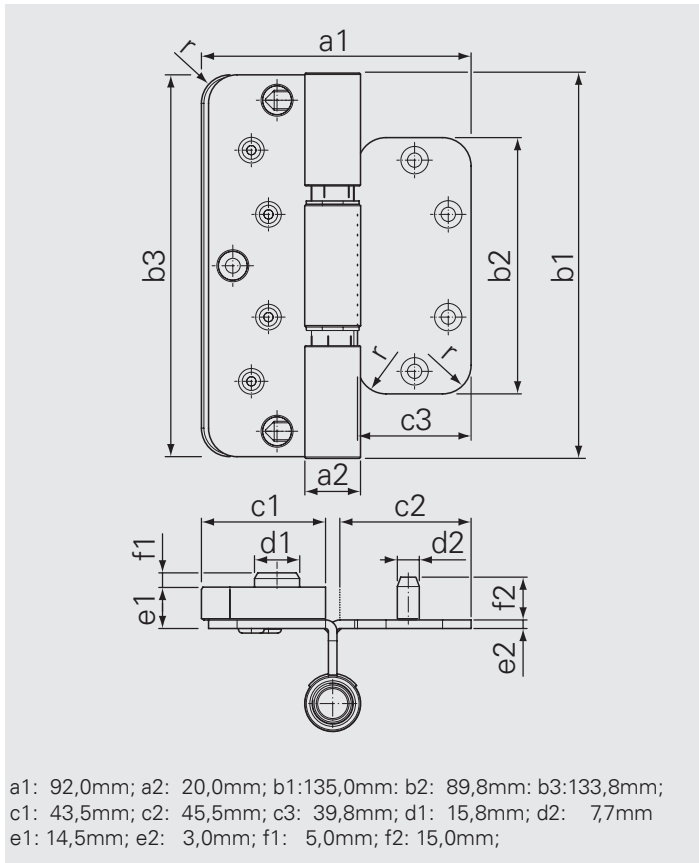


D2D-TA

Dynamic 2D-TA



Load capacity with 2 hinges

100 kg

Raw Material

Steel

Surface treatment

Zinc coated min 5 μ + Polyester min 100/120 μ (Powder coated)

Corrosion resistance in accordance to standard UNI EN 1670

min. 1000 hours (class 5)

Designation according to standards EN 1935

2	7	3	0	1	*	0	10
---	---	---	---	---	---	---	----

* see corrosion resistance

The details stated are results of tests and/or calculations and therefore are non-binding and do not represent guaranties or warranted characteristics for not specified applications. All calculations therefore have to be checked and approved by the responsible planner ahead of execution. The user is responsible to assure compliance with all applicable laws and regulations.